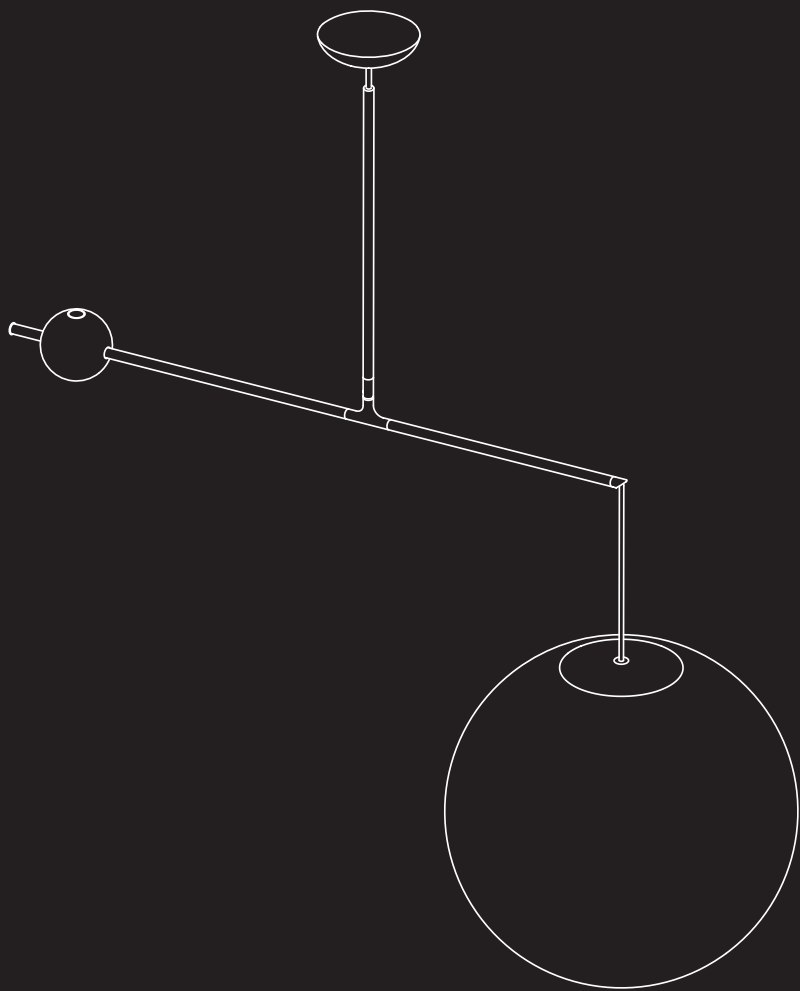


# MALAMATA SUSPENSION

design Schulab



**LUCE  
PLAN**

B01



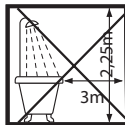


## B01S22 - B01S48

01



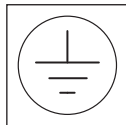
02



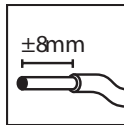
06



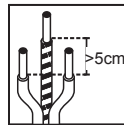
11



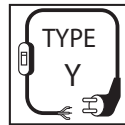
14



15



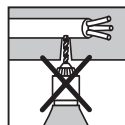
18



29



34



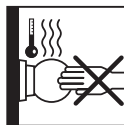
35



36



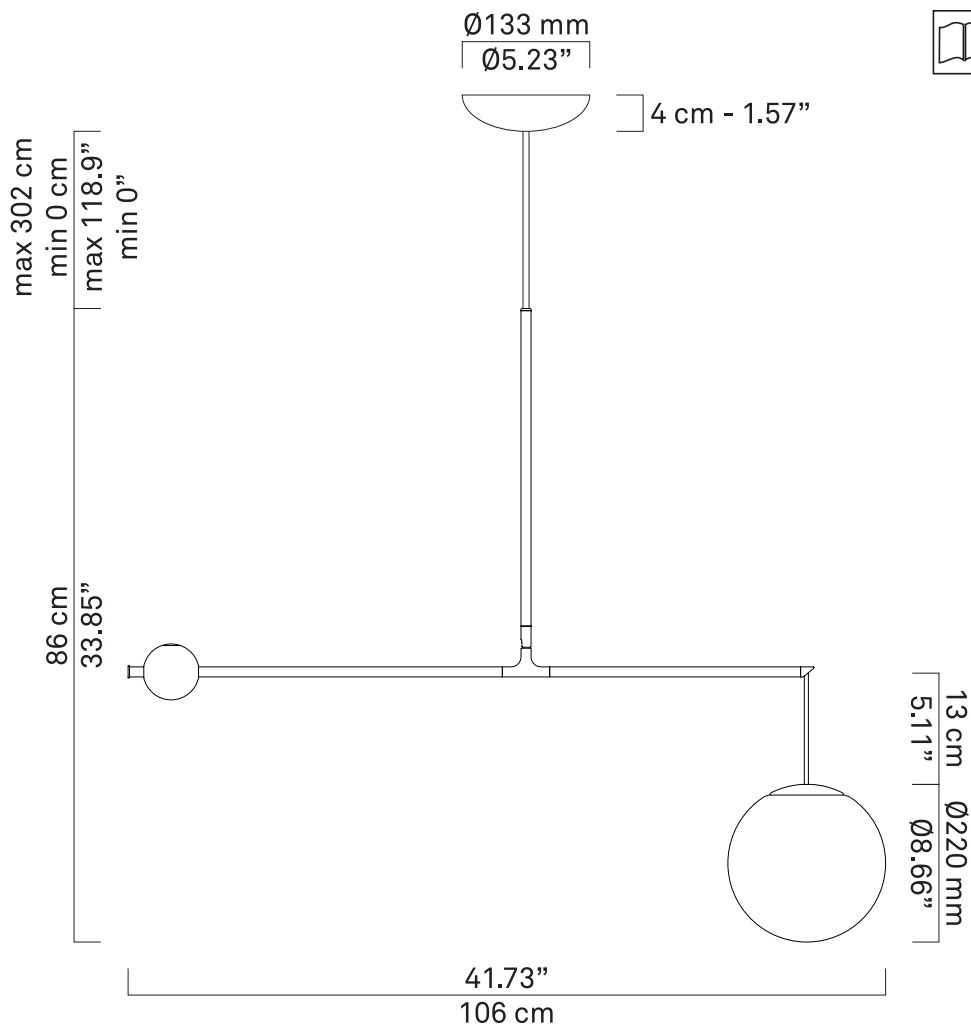
37



38



# B01S22



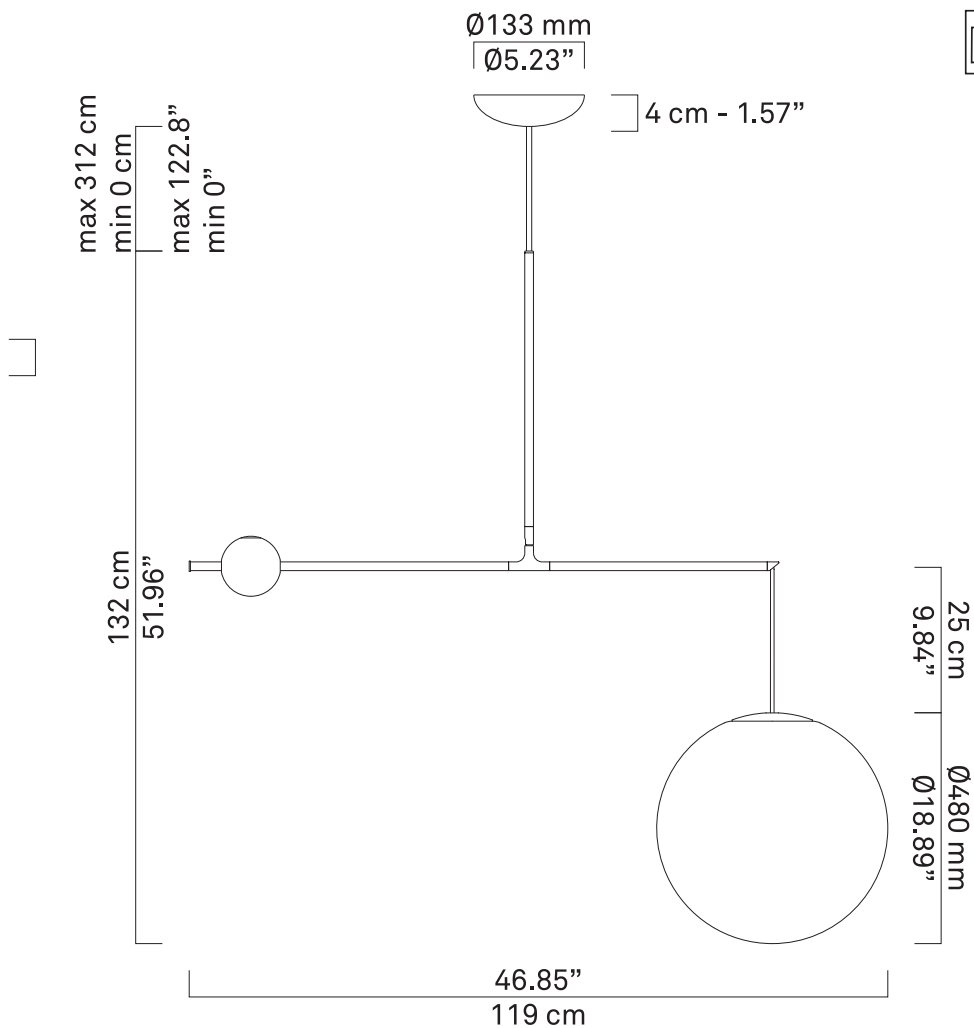
**kg** 4 kg

**lb** 8.8 lb



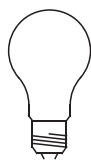
LED E14  
max  $\text{Ø}40 \text{ mm}$   
max  $\text{Ø}1.57''$

## B01S48



**kg** 10 kg

**lb** 22 lb

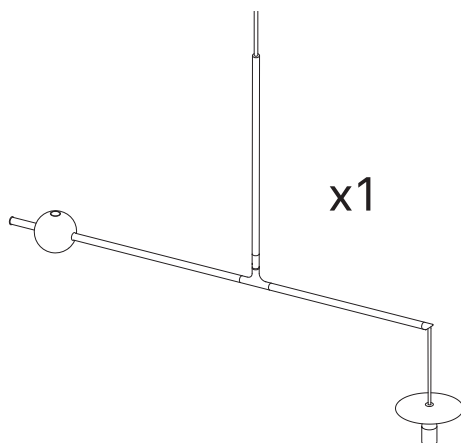


LED E27  
max  $\text{Ø}70 \text{ mm}$   
max  $\text{Ø}2.75''$

---

B01S22 + B01/1

B01S22



x1



x1



x1



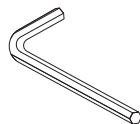
x2



x2

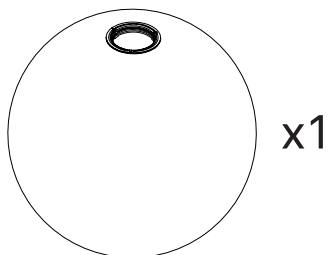


x1



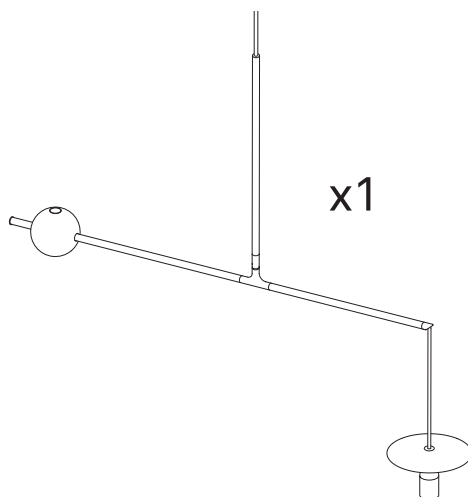
x1

B01/1 - Ø220 mm / Ø8.66"



B01S48 + B01/2

B01S48



x1



x1



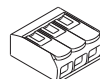
x1



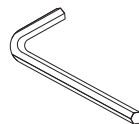
x2



x2

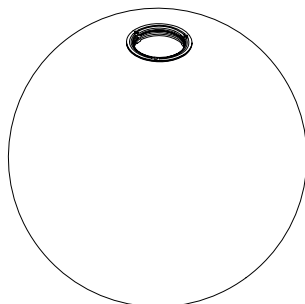


x1



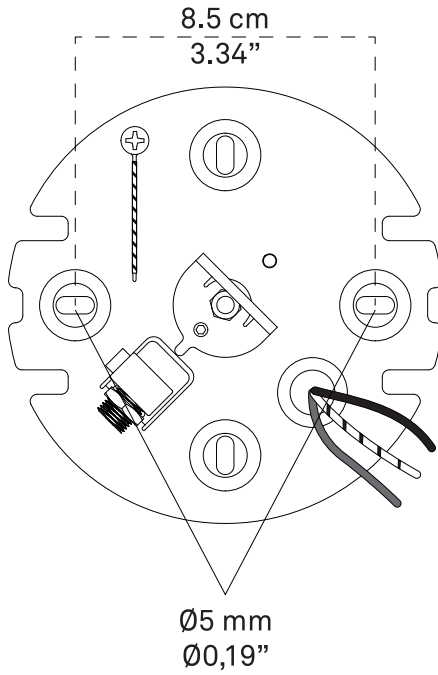
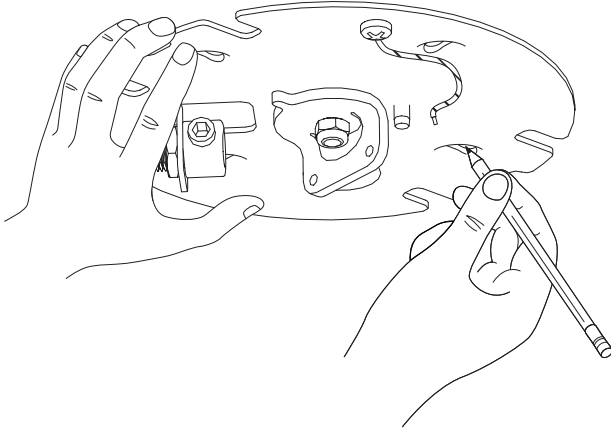
x1

B01/2 - Ø480 mm / Ø18.89"



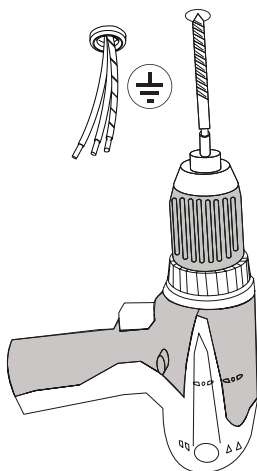
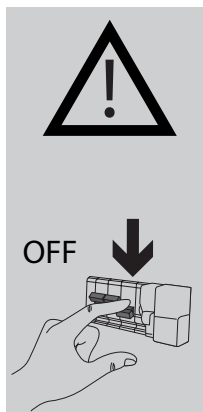
x1

# 1.1 B01S22 - B01S48

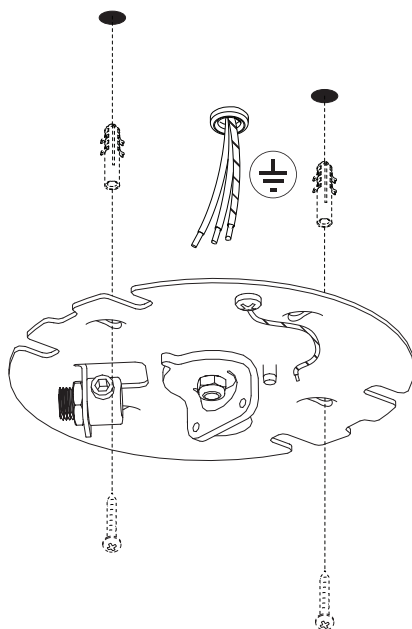




# 1.2 B01S22 - B01S48



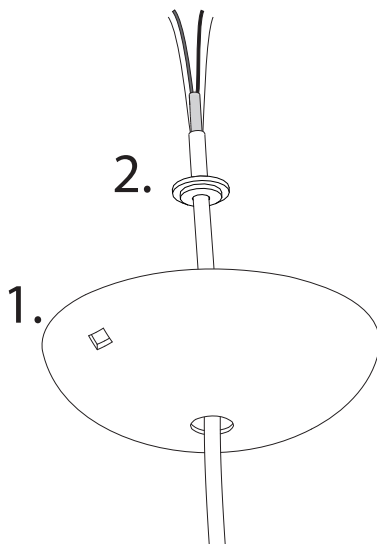
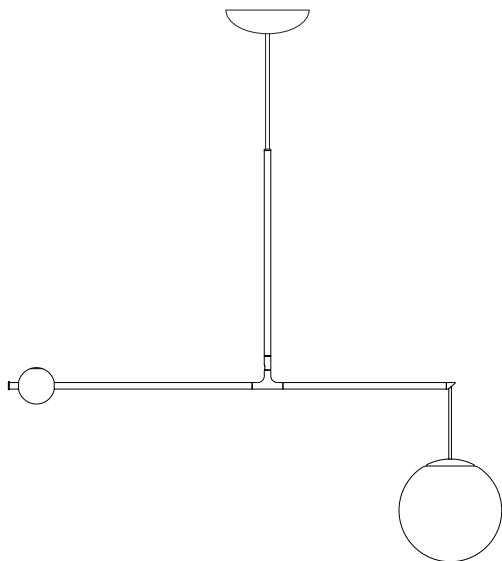
# 1.3 B01S22 - B01S48



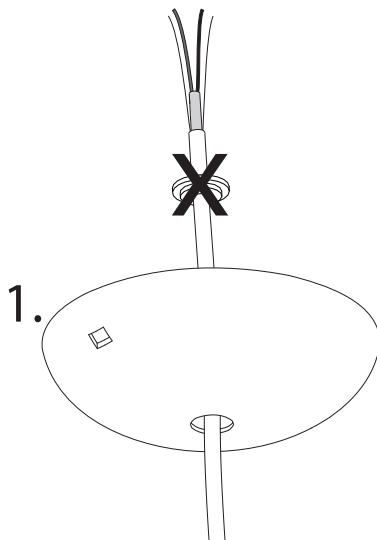
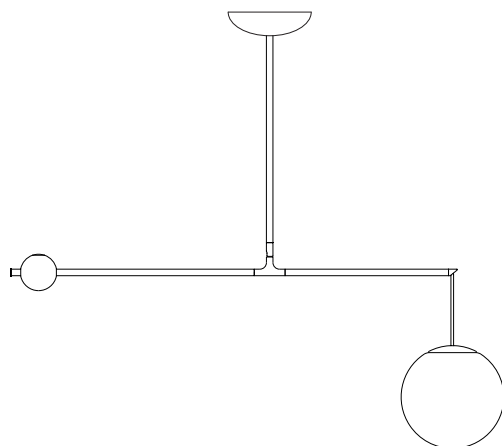
---

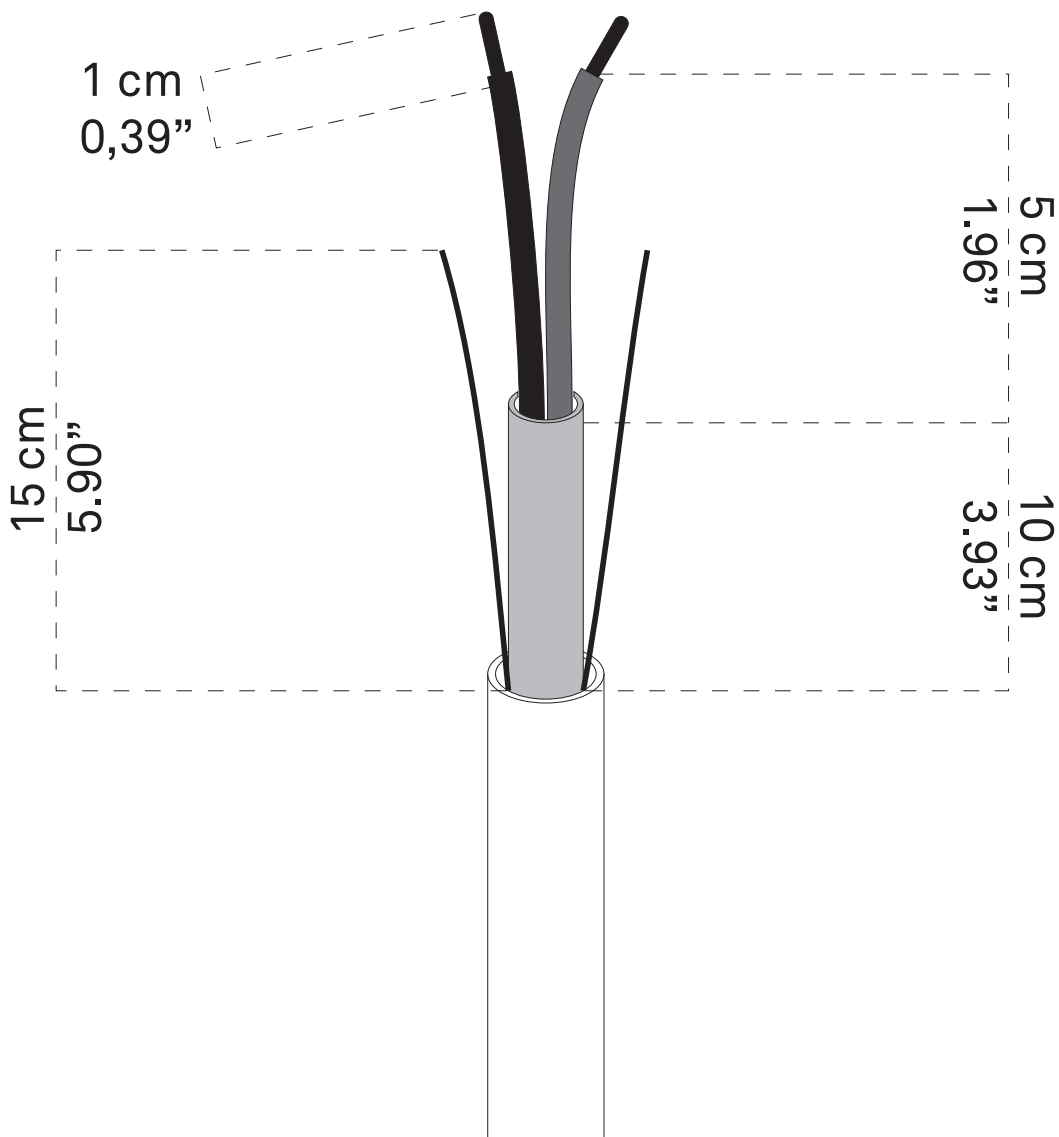
# 1.4 B01S22 - B01S48

## 1.4 a

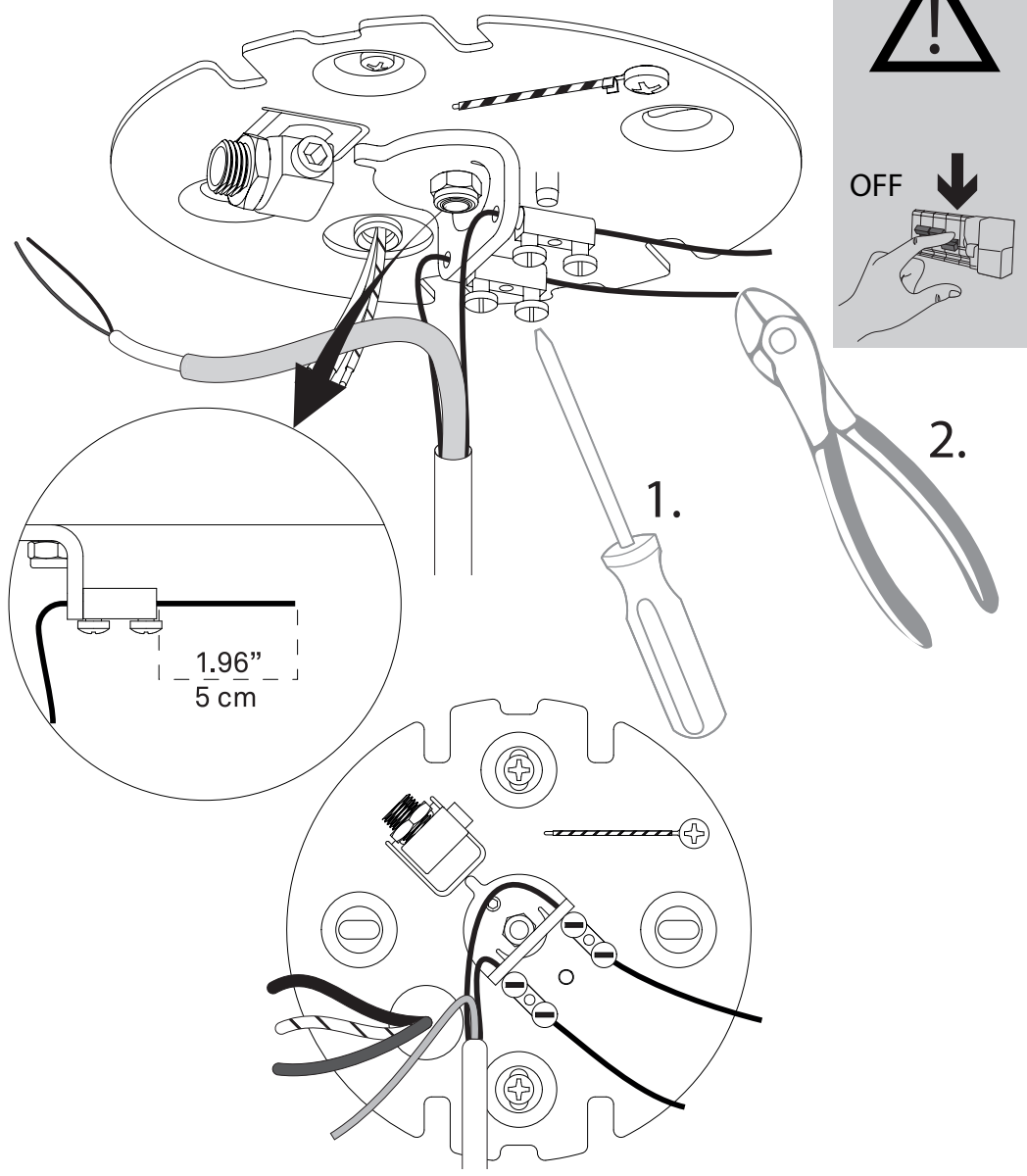


## 1.4 b

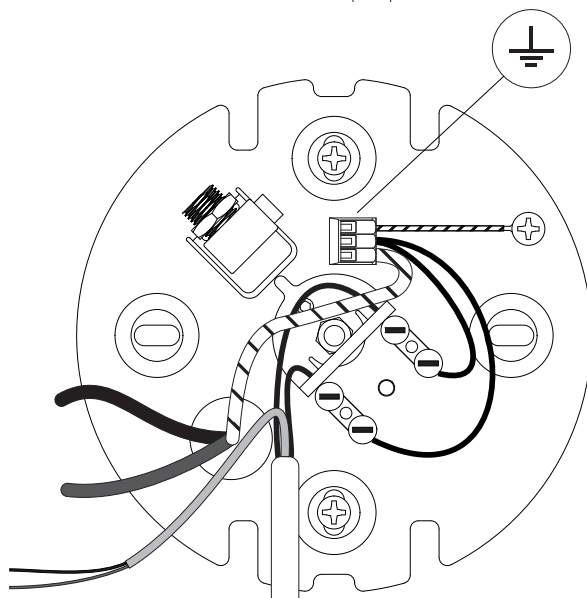
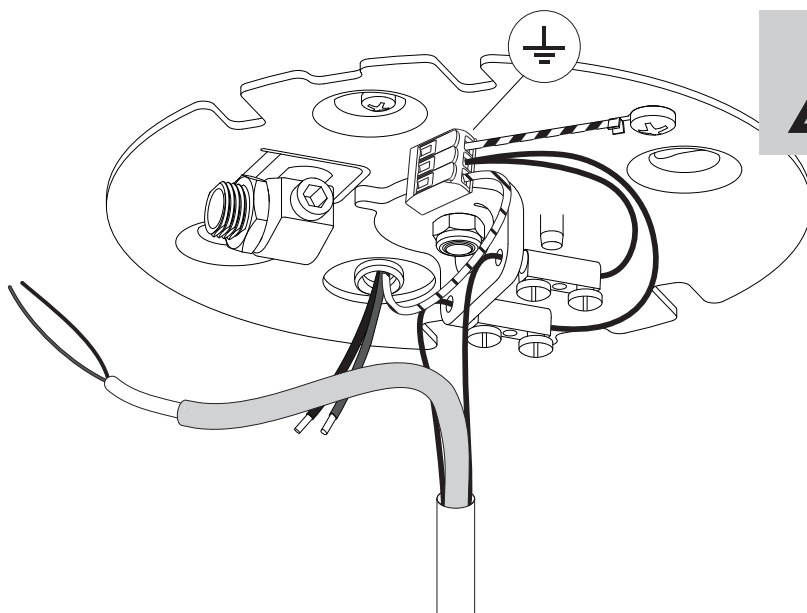




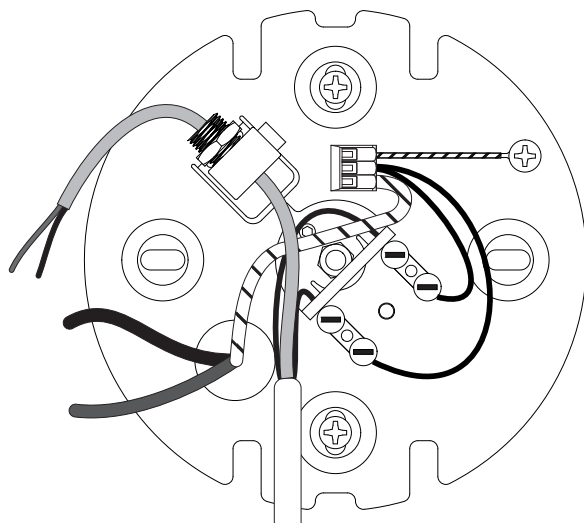
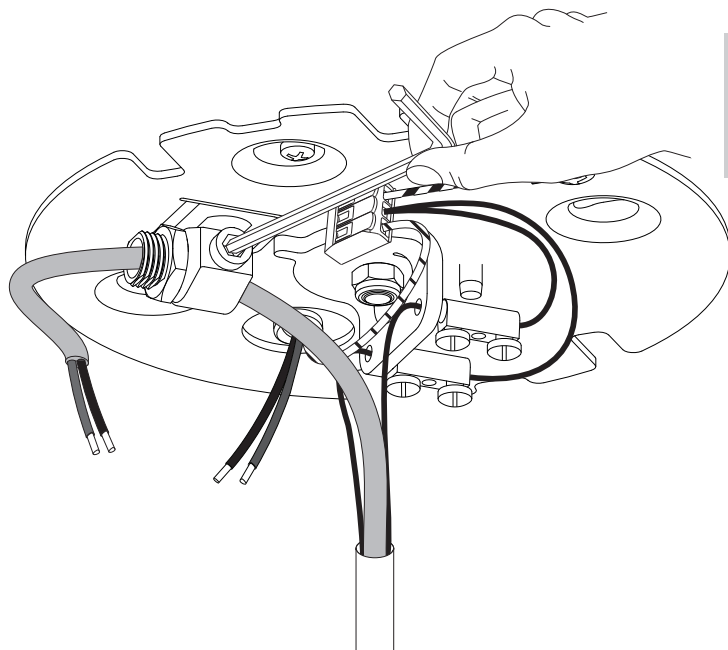
# 2 | 2.1 B01S22 - B01S48



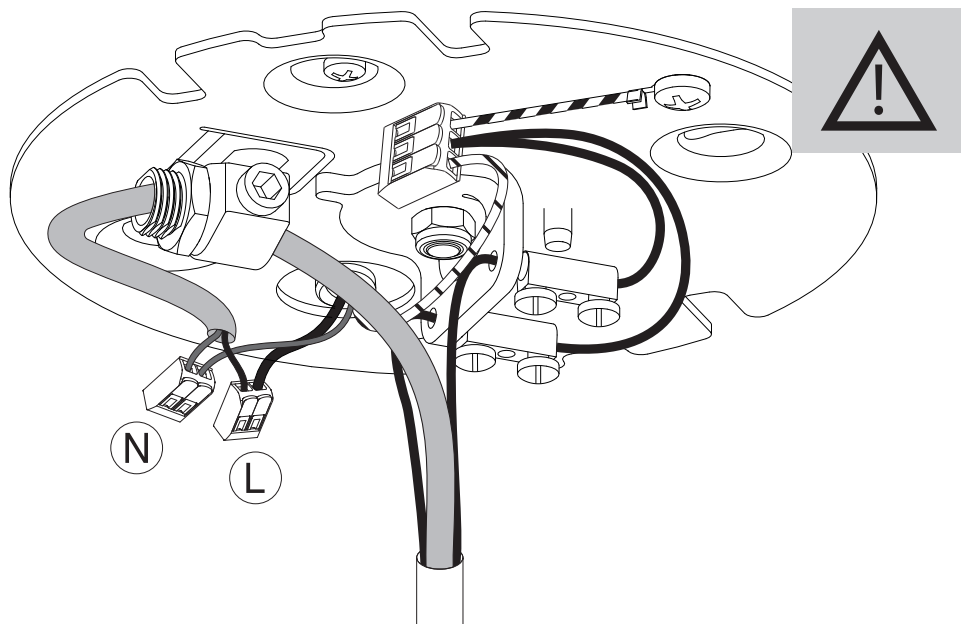
## 2.2 B01S22 - B01S48



## 2.3 B01S22 - B01S48

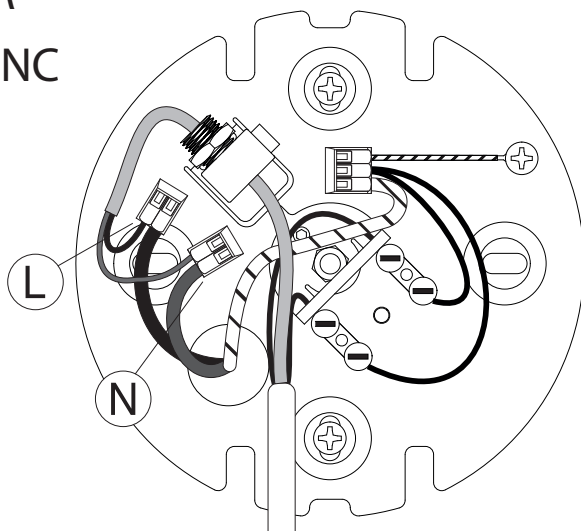


## 2.4 B01S22 - B01S48



L = BLACK - NOIR

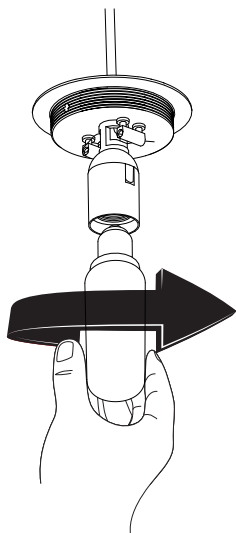
N = WHITE - BLANC



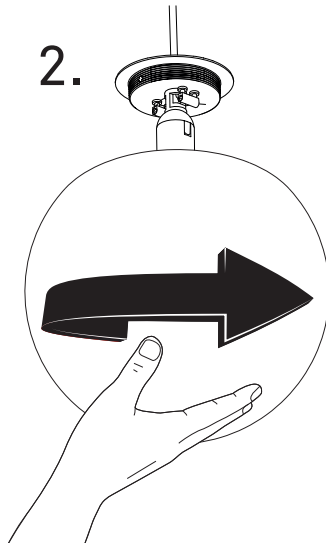
# 3

B01S22

1.

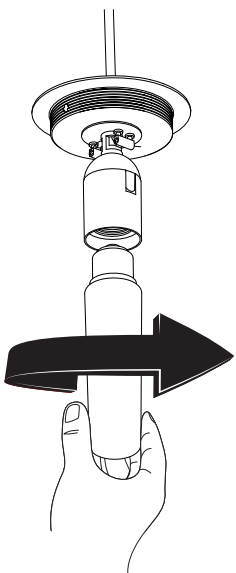


2.

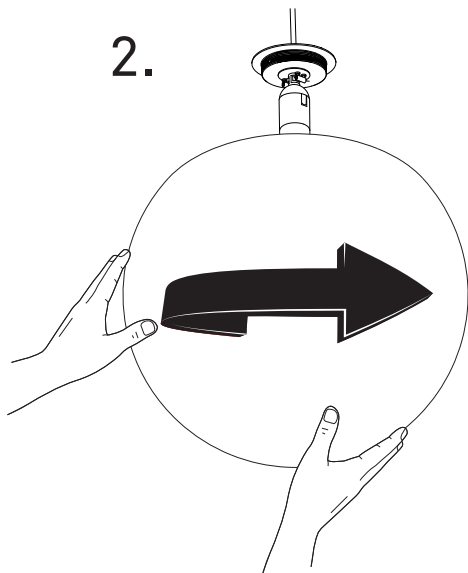


B01S48

1.

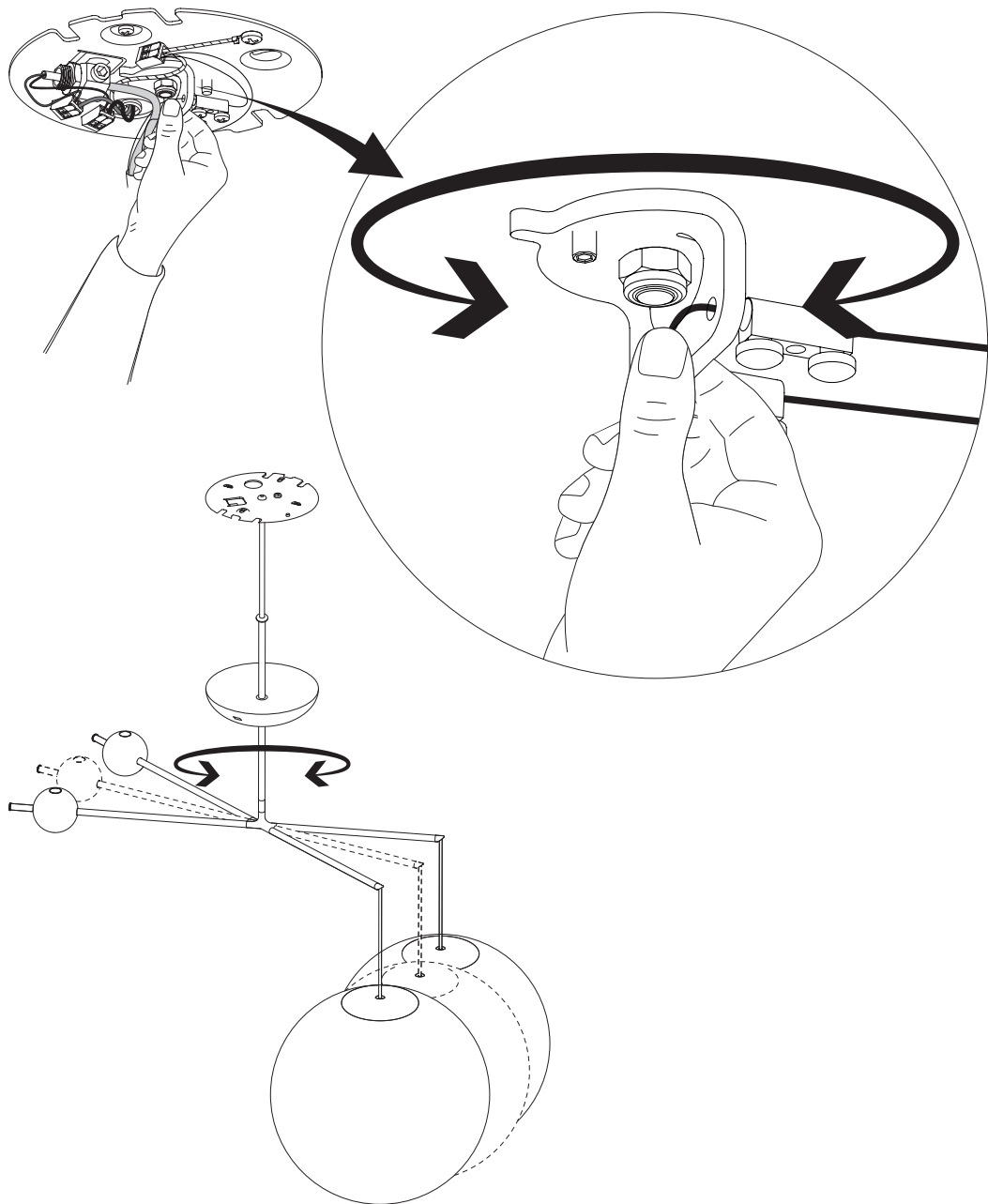


2.



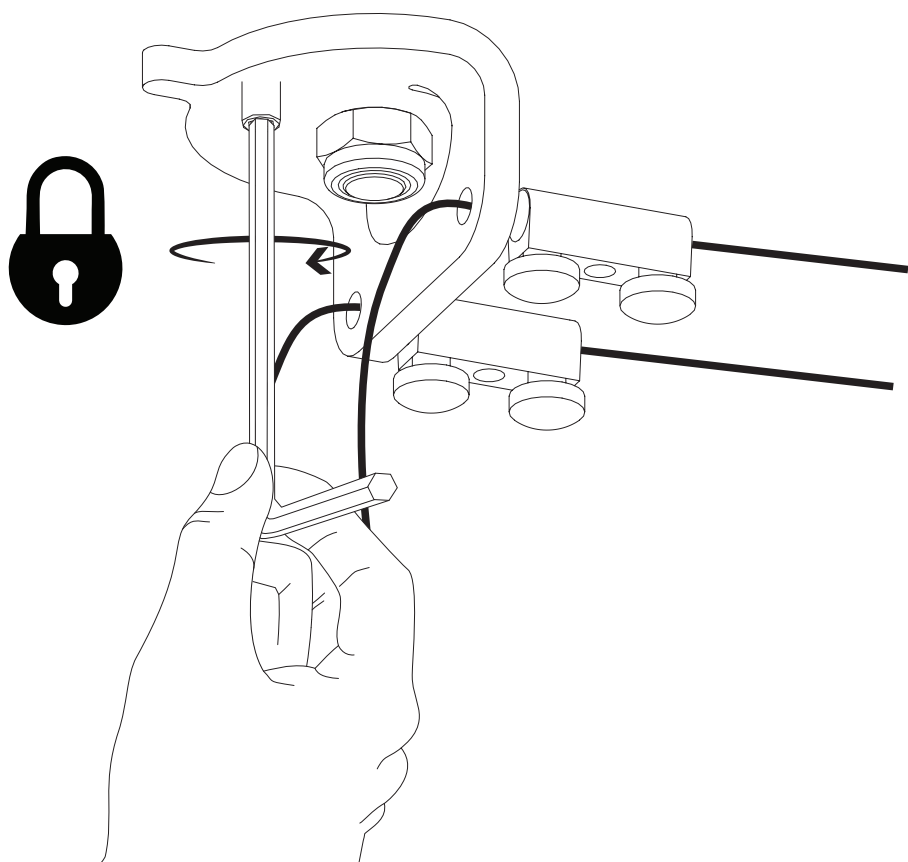


# 4 | 4.1 B01S22 - B01S48



---

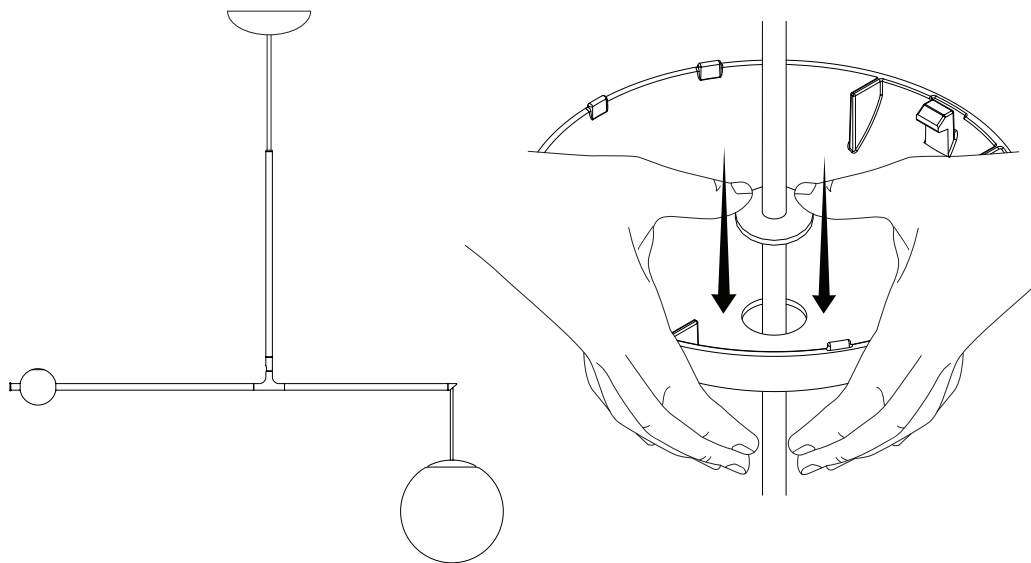
## 4.2 B01S22 - B01S48



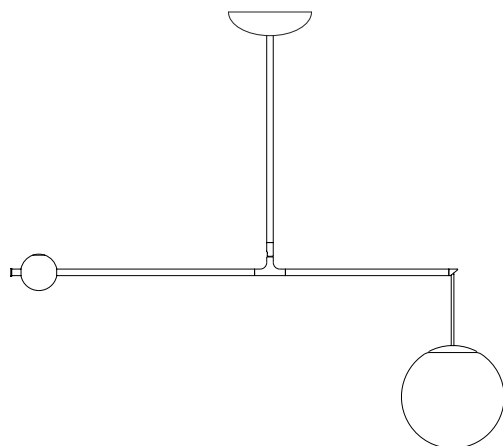
# 5

## 5.1 B01S22 - B01S48

### 5.1 a

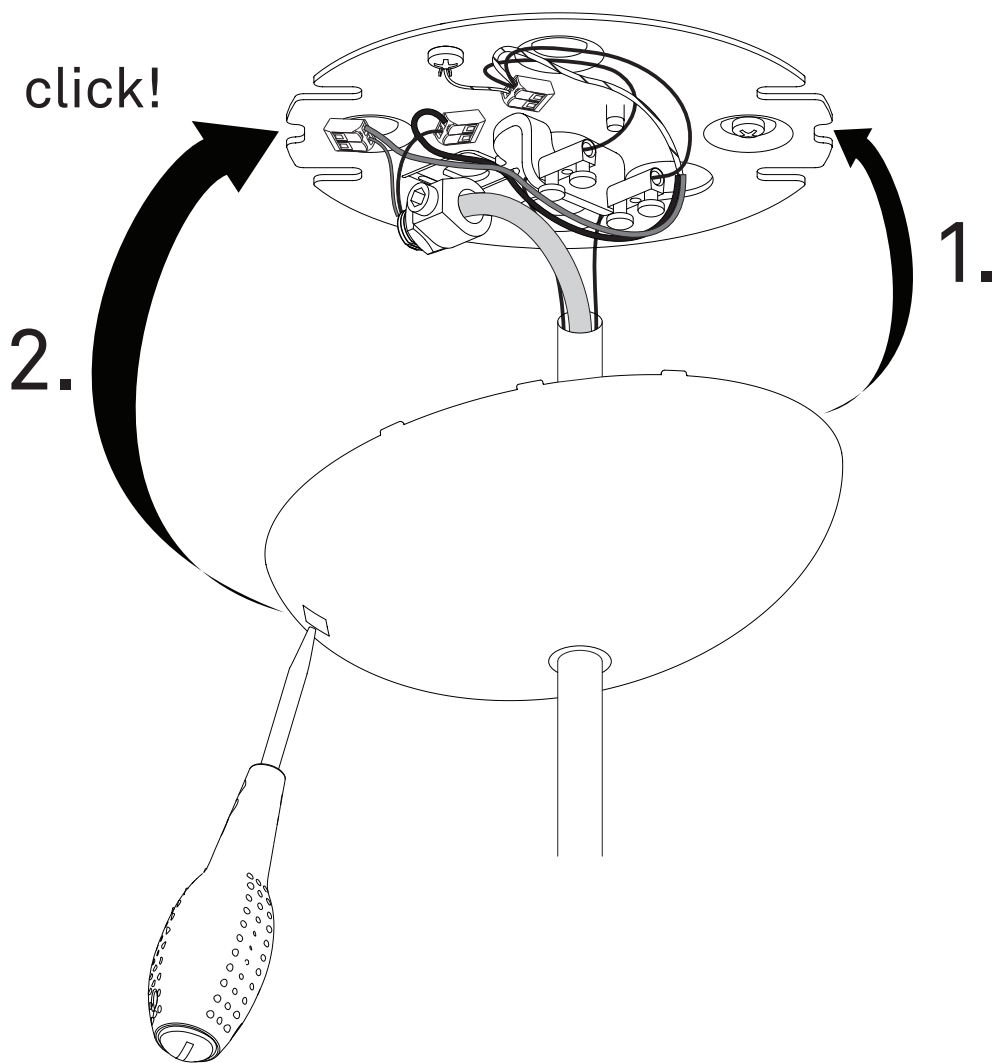


### 5.1 b



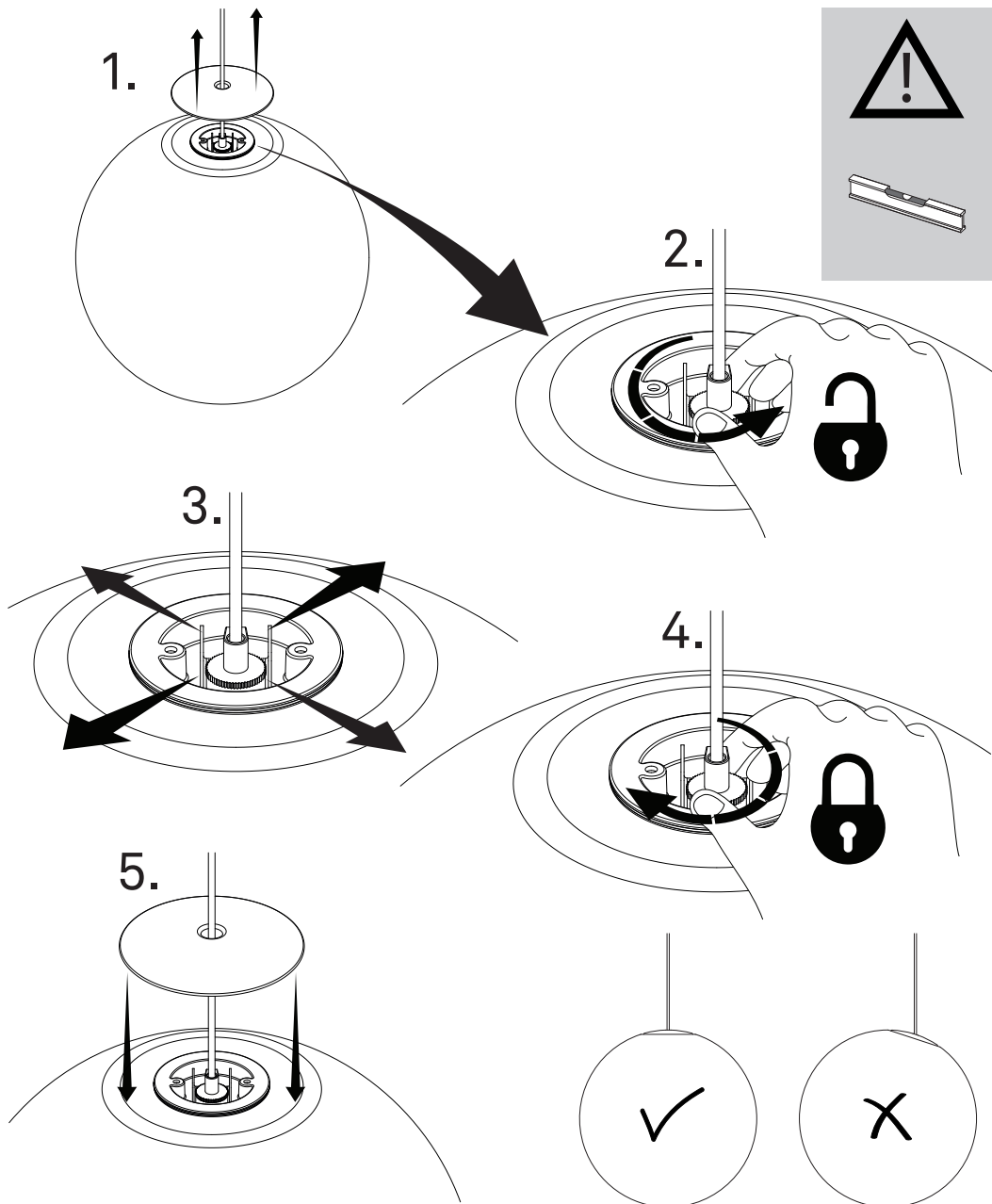
---

## 5.2 B01S22 - B01S48



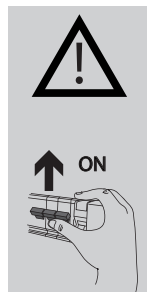
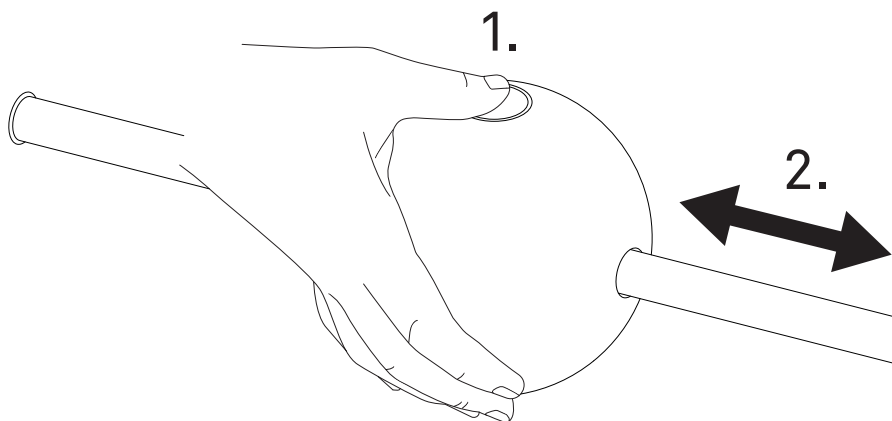
# 6

## B01S48

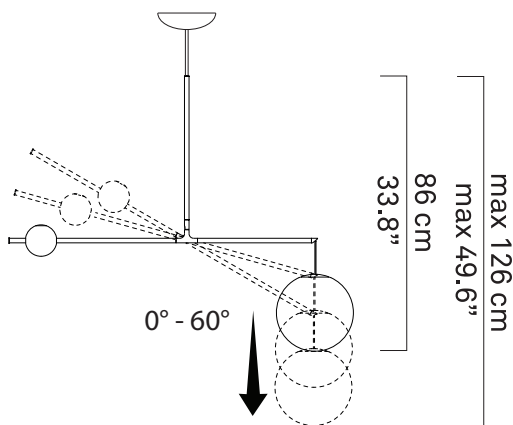


# 7

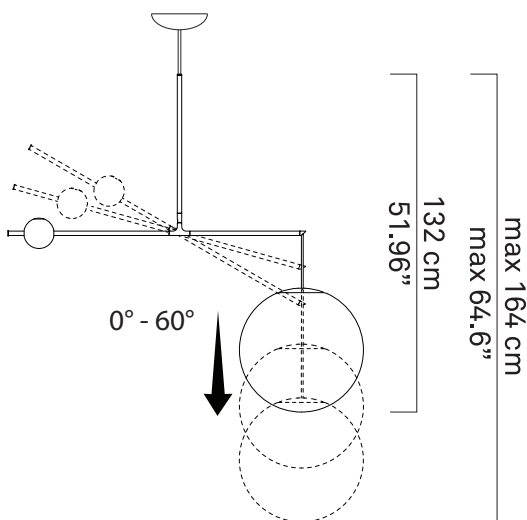
## B01S22 - B01S48



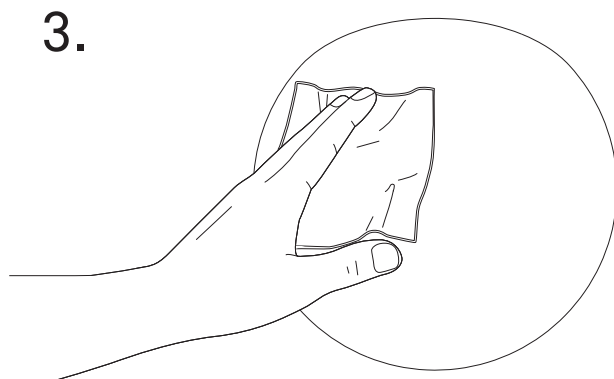
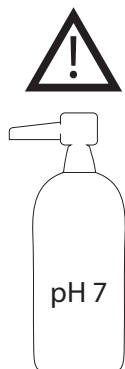
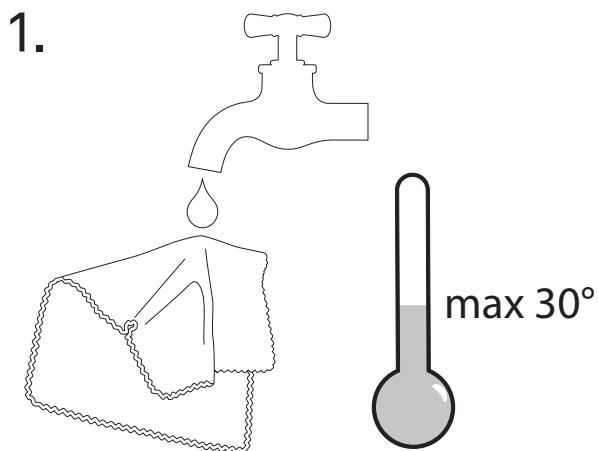
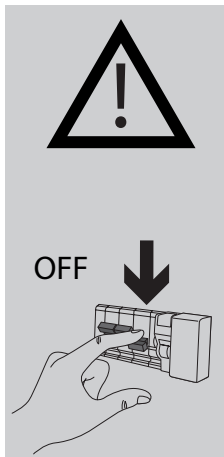
### B01S22



### B01S48



# 8





[www.luceplan.com](http://www.luceplan.com)

B010IA002

120018000,00